

Total counter

DC-JA

Easy-to-see Total counter with 24x48

- White LCD with high visibility. (LED backlight except for DC-JA7-V)
- AC power, DC power & build-in battery type are lined-up.
- 7 digits, changed to overflow display if over 7 digits, it can count up to 99,999,999 internally.
- Prevent unconsidered wrong operation because of key-protection function.
- Reset key-lock can be set with undersurface dip switch.



DC-JA7-AW

DC-JA7-V

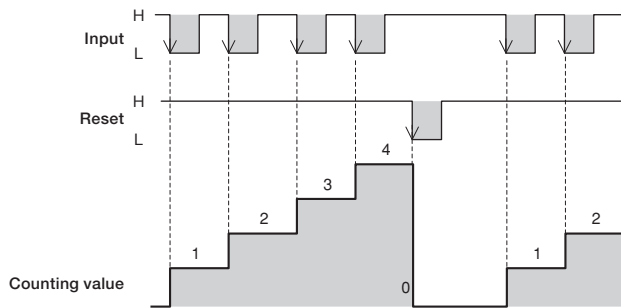
Specifications

Type	1 preset counter		
Model No.	DC-JA7-AW	DC-JA7-DW	DC-JA7-V
Power source	100 to 240VAC (50/60Hz)	12 to 24VDC (ripple 20% or less)	—————
Fluctuation range	85 to 250VAC	12 to 24VDC $\pm 10\%$	—————
Power consumption	1.2VA (at 240VAC)	0.7W (at 24VDC)	—————
Built-in battery	—————	—————	CR2477 1,000mAh
Battery life (referential value)	—————	—————	5 years or more (+25°C continuous use) ^(note)
Numbers of digits	7 digits (overflow display for 8th digit)		
How to mount	Panel mounting		
Front size	24X48mm		
Display	7-segment LCD (LED back-light) H: 9mm, W: 2.95mm		7-segment reflective LCD
Memory function	EEP-ROM (rewriting numbers: 0.1 million times or more)		—————
Counting speed	Changeover for 30Hz/1kHz 30Hz: Contact and open-collector, min. signal width 16.7msec (make ratio 1:1) 1kHz: Open-collector, min. signal width 0.5msec (make ratio 1:1)		
Reset	External reset (min. reset time: 50msec), manual reset		External reset (min. reset time: 200msec), manual reset
Input mode	Increment		
Input signal	Contact or open-collector Impedance when ON (short-circuit): 1k ohm or less Impedance when OFF (opened): 100k ohm or more Flowing current when short-circuit: approx. 4mA		Contact or open-collector, Impedance when ON (shortcircuit): 10k ohm or less, Impedance when OFF (opened): 1M ohm or more, Allowable residue voltage when ON: 0.5V or less, Flowing current when short- circuit: approx. 4 μ A
Ambient temperature/humidity	-10 to +50°C (-25 to +55°C when stored), 35 to 85%RH or less (not icing, not condensing)		
Insulation resistance	100M Ω or more (500VDC megger), between conducting terminal and non-charged metal part		
Withstand voltage	2,000VAC/min., between conducting terminal and non-charged metal part		
Noise resistance	Rectangular wave nose by noise simulator (build-up 1nsec, width 1 μ sec), common mode 2kV		
Vibration resistance	Double amplitude 4mm, 16.7Hz, each 1 hour in X, Y and Z directions. malfunction: double amplitude 0.5mm, 10 to 55Hz, each 10 minutes in X, Y and Z directions		
Impact resistance	294m/s ² , each 3 times in X, Y and Z directions. malfunction: 98m/s ² , each 3 times in X, Y and Z directions		
Starting time when Power-ON	2sec or less		—————
Protective structure	IP66 (IEC Standard, only front panel when using rubber packings)		
Case material	Polycarbonate		
Weight	Approx. 70g		Approx. 60g
Accessory	Mounting hook, rubber packings		

Note) This is a reference value and we don't guarantee.

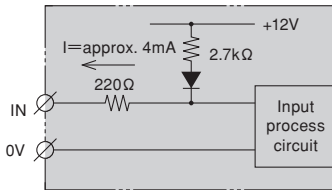
★Dust-proof cover(GZ00010) is available as option.

Operating mode

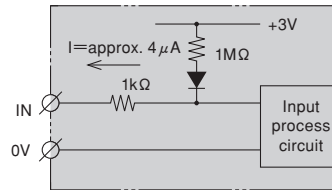


Input output

DC-JA7-AW/DC-JA7-DW



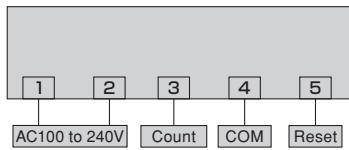
DC-JA7-V



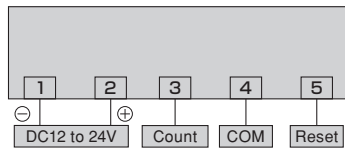
- ※ Don't input between input terminals because of breaking inner battery or input circuit.
- ※ Don't make a parallel wiring to the other counter with one input signal because it may malfunction.

Connection

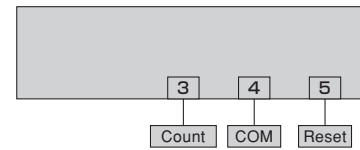
DC-JA7-AW (AC power type)



DC-JA7-DW (DC power type)



DC-JA7-V (battery type)

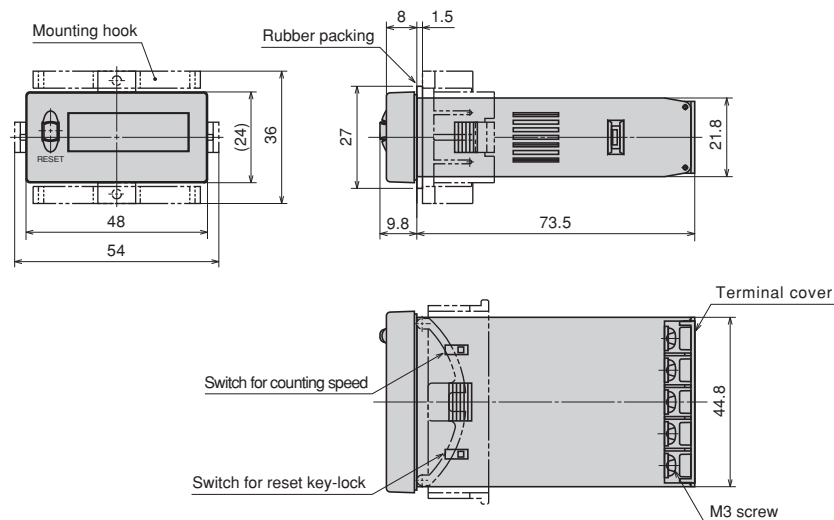


(Caution)

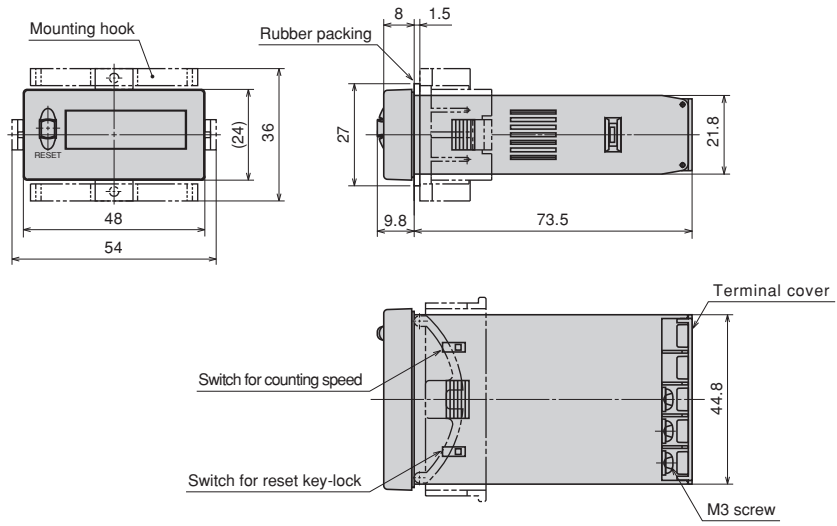
- Do not use unused terminal as relay terminal.
- Each input to counting, reset and count prohibition is common use for contact and open-collector. Wire to each input and output terminal with 2-core shield wire or metal conduit tube as short as possible. Do not lay the wires close to or parallel to line cable, power cable or high voltage line.
- For connection, use M3 pressure connection terminals.

External dimensions

DC-JA7-AW/DC-JA7-DW



DC-JA7-V



Panel cut dimension

