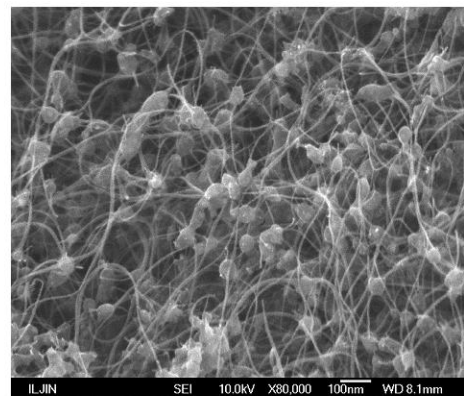
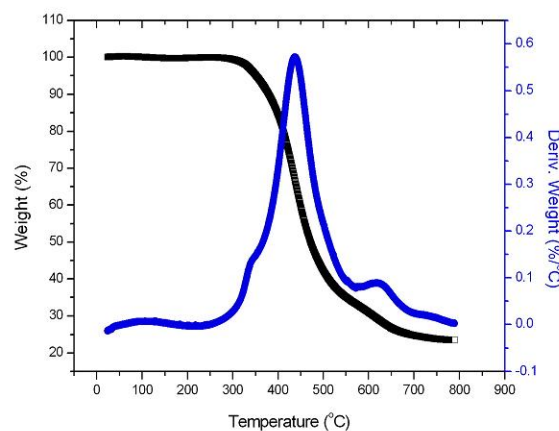


ATS-PVD Series Arc Discharge System for SWCNTs Production

SEM Images of SWCNTs



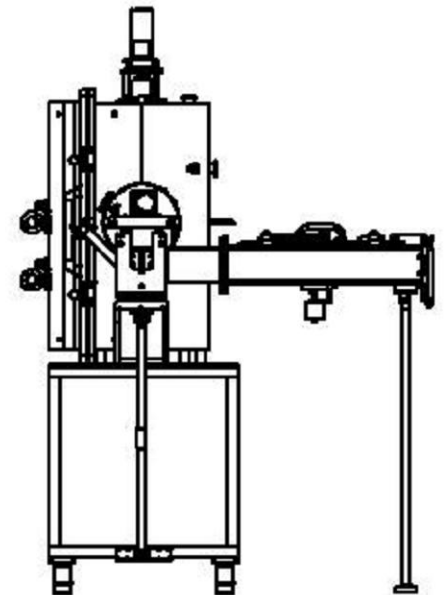
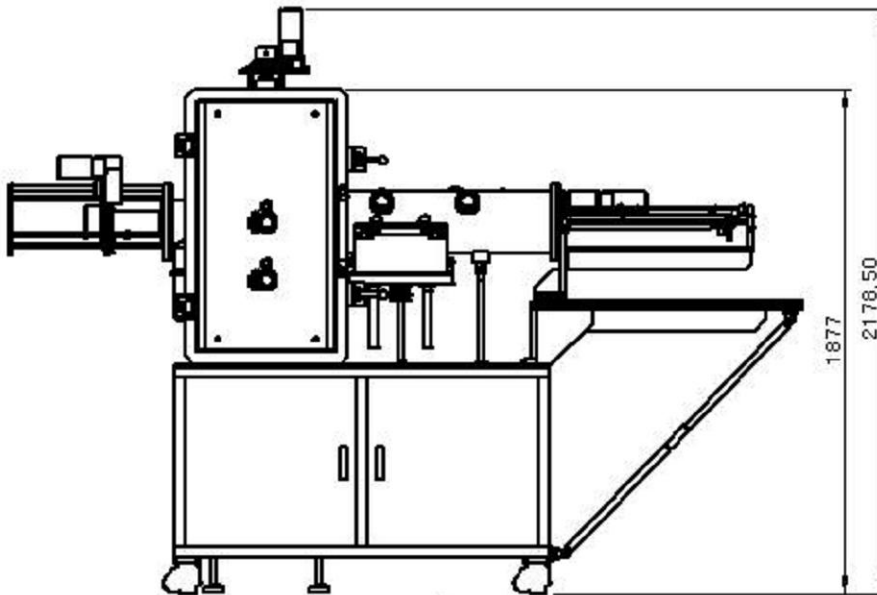
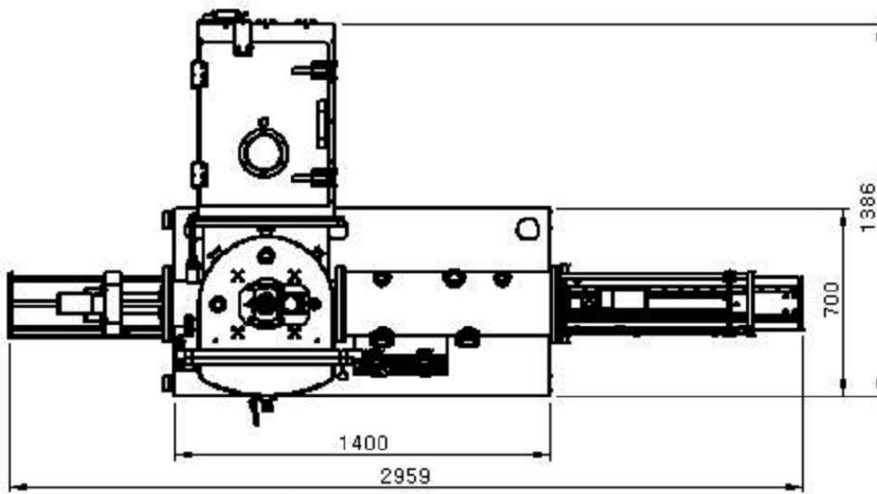
TGA of SWCNTs



Special Features

- ◆ Arc discharge synthesis of high quality SWCNTs
- ◆ Automatically controlled sequential process of electrode loading, discharge, CNTs synthesis and their recovery
- ◆ Equipped with specially designed CNTs recovery chamber in main chamber
- ◆ Catalyst loading into drilled anode
- ◆ Cassette loading of anodes (up to 10ea)
- ◆ Applications
 - Highly crystalline SWCNTs synthesis
- ◆ Anode dimension
10~19mm(D) × 300 mm(L)
- ◆ Average throughput
200g SWCNTs/day
- ◆ Dimension
3,000L × 2,200H × 1,400W (mm³)
- ◆ Others
 - Power: DC 2kW
 - Gas : He/H₂/Ar
 - Pump: rotary(600l/min)

◇ Layout



175-25, Cheongcheon-Dong 2, Bupyeong-Gu,
Incheon, 403-853, Rep. Korea

Phone: +82-32-508-8060/8067

Fax: +82-32-508-8069

E-mail: atech@atechsystem.co.kr

Website: www.atechsystem.co.kr